

NYLM-3

3" iLENE LED Mini Cylinders

Source: 30W LED
1500lm

Type

Project

Catalog No.

Notes

PRODUCT DESCRIPTION

iLENE Series of dedicated LED Mini Cylinders are available in three sizes and outputs, with multiple mounting options. Using Cree® COB technology, the iLENE produces 90+ CRI with excellent cut-off for visual comfort. Each cylinder includes three field-changeable optics for spot, narrow flood and flood (installed) beam spreads.

FEATURES

- 1500lm / 30W LED
- Cree® LED COB or Comfort Dim Technology
- Stem, Surface or Cable Mounted
- 2700K, 3000K, 3500K, 4000K or Comfort Dim @ 90+ CRI
- Flood (installed), narrow flood and spot optics included
- 120-277V input and Triac, ELV or 0-10V dimming
- Black, silver or white cylinder finish
- ENERGY STAR® certified
- 5-year limited warranty

SPECIFICATION

Construction: Extruded aluminum cylinder with aluminum vented top. Driver is mounted in the canopy to dissipate heat away from the LED module and extend life expectancy.

Reflector: Deep set reflector for minimal aperture brightness. Reflector finish matches cylinder finish.

INSTALLATION (Canopy includes driver & mounts over j-box)

Cable: Cylinder includes 8' field adjustable aircraft cable

Surface: Cylinder is connected to canopy and mounts directly over junction box.

Stem: Cylinder can be stem mounted up to 7, must specify stem length (12" increments). Stems are internally threaded and can be connected together, below are configurations included:

Stem Length	Stem(s) Included
12" (1)	(1) 12" Stem
24" (2)	(1) 24" Stem
36" (3)	(1) 12" & (1) 24" Stems
48" (4)	(2) 24" Stems
60" (5)	(2) 24" & (1) 12" Stems
72" (6)	(3) 24" Stems
84" (7)	(3) 24" & (1) 12" Stems

ELECTRICAL

Input Voltage: 120-277VAC

Lumens / Wattage: 1500lm / 30W (1300lm with Comfort Dim)

Color Temperature: 2700K, 3000K, 3500K or 4000K

Comfort Dim: Comfort Dim color tunes the temperature from a bright 3100K, to a romantic and comfortable 2000K on a gradual, even curve. Comfort Dim delivers up to 1300 lumens.

Color Rendering Index: 90+ CRI

Optics: Three field-changeable optics included

Dimming: Triac, ELV or 0-10V

[Click Here](#) or check complete dimmer list at www.NoraLighting.com in the "Compatibility" page under "Resources" tab

ACCESSORIES

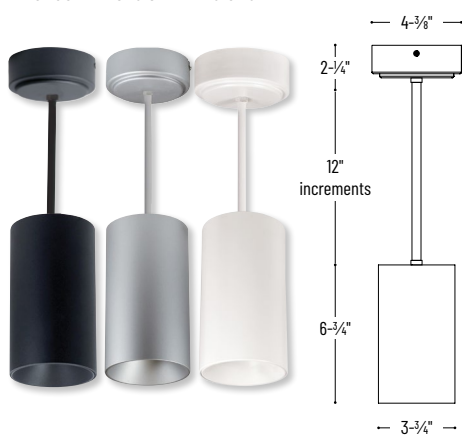
3" iLENE cylinders accept decorative translucent collars or opaque snoots. Translucent collars color the aperture with the specified color while producing white general light. Opaque snoots greatly reduce aperture brightness while preserving light output. (Note: black snoot will reduce light).

LABELS AND LISTINGS

- cULus Listed for Damp Locations
- ENERGY STAR certified
- [5-Year Limited Warranty](#)
- Certified to the high efficacy requirements of California Title 24 JA8-2022



PRODUCT IMAGES & DIMENSIONS



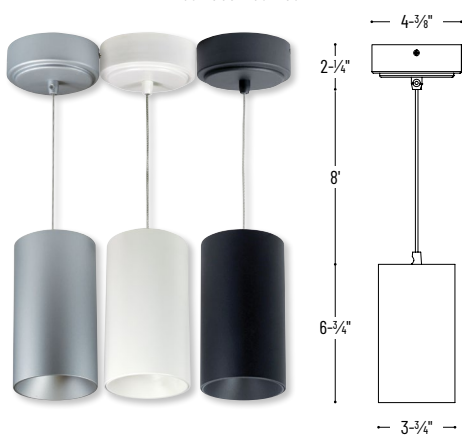
NYLM-3ST

Stem Mounted



NYLM-3SC

Surface Mounted



NYLM-3C

Cable Mounted

3" iLENE LED Mini Cylinder with Stem

Mounting Option	CCT	Finish	Input Voltage / Dimming	Stem Length
NYLM-3ST = Stem Mounted	27X = 2700K	BB = Black	LE4 = 120-277V input; Triac/ELV/0-10V	/12 = 12" (1)
	30X = 3000K	SS = Silver		/24 = 24" (2)
	35X = 3500K	WW = White		/36 = 36" (3)
	40X = 4000K			/48 = 48" (4)
	CDX = Comfort Dim (3100K to 2000K)			/60 = 60" (5)
NYLM-3C = Cable Mounted	27X = 2700K	BB = Black	LE4 = 120-277V input; Triac/ELV/0-10V	/72 = 72" (6)
NYLM-3SC = Surface Mounted	30X = 3000K	SS = Silver		/84 = 84" (7)
	35X = 3500K	WW = White		
	40X = 4000K			
	CDX = Comfort Dim (3100K to 2000K)			

Accessories

Description
NI0-AS14AM = Amber Translucent Decorative Collar
NI0-AS14BLU = Blue Translucent Decorative Collar
NI0-AS14FR = Frosted Translucent Decorative Collar
NI0-AS14R = Red Translucent Decorative Collar
NI0-AS14BLK = Black Opaque Snoot
NI0-AS14MPW = Matte Powder White Opaque Snoot
NI0-AS14WH = White Opaque Snoot

Example: NYLM-3C30XBBLE4 = 3" iLENE LED Mini Cylinder, Cable Mounted, 3000K, Black finish, 120-277V input; Triac, ELV or 0-10V dimming

PHOTOMETRICS

3" iLENE LED Mini Cylinders

Type

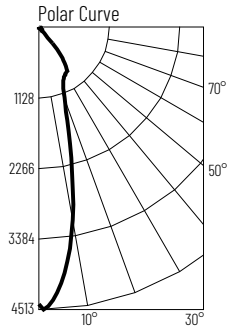
Project

Catalog No.

Notes

Test Information

Test Number: NTC11009
 Part Number: NYLM-3C40XWWLE4
 Beam Spread: 27° Spot
 Lumens: 1948lm
 Wattage: 23.21W
 Efficacy: 84lpw
 CCT / CRI: 4000K / 90 CRI
 Spacing Criteria (0°-180°): 0.46
 Spacing Criteria (90°-270°): 0.46



Illuminance at a Distance

Distance from Luminaire	FC at Nadir	Beam Diameter
4'	277fc	1'-11"
6'	123fc	2'-11"
8'	69fc	3'-11"
10'	44fc	4'-10"
12'	31fc	5'-10"

Zonal Lumen Summary

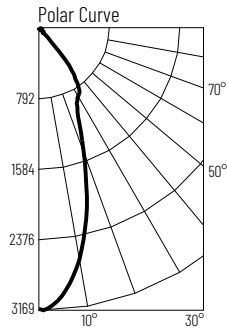
Zone	Lumens	% Luminaire
0-30	1327	68.1
0-40	1780	91.3
0-60	1916	98.3
0-90	1940	99.6
90-180	8.7	0.4
0-180	1949	100

Candela Table

Vertical Angles	Candela
0	4431
5	4065
15	1895
25	938
35	749
45	79

Test Information

Test Number: NTC11010
 Part Number: NYLM-3C40XWWLE4
 Beam Spread: 38° Narrow Flood
 Lumens: 1959lm
 Wattage: 23.34W
 Efficacy: 84lpw
 CCT / CRI: 4000K / 90 CRI
 Spacing Criteria (0°-180°): 0.64
 Spacing Criteria (90°-270°): 0.62



Illuminance at a Distance

Distance from Luminaire	FC at Nadir	Beam Diameter
4'	197fc	2'-10"
6'	88fc	4'-2"
8'	49fc	5'-6"
10'	32fc	6'-11"
12'	22fc	8'-4"

Zonal Lumen Summary

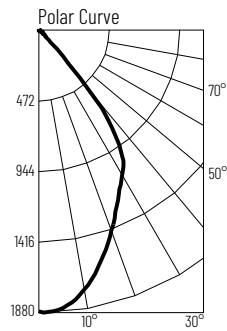
Zone	Lumens	% Luminaire
0-30	1329	67.9
0-40	1784	91.1
0-60	1924	98.3
0-90	1951	99.6
90-180	8.7	0.4
0-180	1959	100

Candela Table

Vertical Angles	Candela
0	3149
5	3019
15	2088
25	1031
35	761
45	79

Test Information

Test Number: NTC11011
 Part Number: NYLM-3C40XWWLE4
 Beam Spread: 70° Flood
 Lumens: 1974lm
 Wattage: 23.28W
 Efficacy: 85lpw
 CCT / CRI: 4000K / 90 CRI
 Spacing Criteria (0°-180°): 0.94
 Spacing Criteria (90°-270°): 0.94



Illuminance at a Distance

Distance from Luminaire	FC at Nadir	Beam Diameter
4'	117fc	5'-6"
6'	52fc	8'-4"
8'	29fc	11'-0"
10'	19fc	13'-10"
12'	13fc	16'-6"

Zonal Lumen Summary

Zone	Lumens	% Luminaire
0-30	1199	60.7
0-40	1757	89
0-60	1937	98.1
0-90	1965	99.6
90-180	8.3	0.4
0-180	1974	100

Candela Table

Vertical Angles	Candela
0	1879
5	1854
15	1593
25	1251
35	926
45	114