

# NJCB-12

## 12W Driver Box for 2" and 4" Iolite Can-less Downlights

Type
Project
Catalog No.
Notes

### PRODUCT DESCRIPTION

IC rated driver box with dimmable driver. Used in conjunction with 2" and 4" Iolite Can-less LED modules

### FEATURES

- No housing required - IC Air-Tight rated
- Easy installation for remodel or new construction applications
- Compatible with 2" and 4" Iolite Can-less downlights
- Quick disconnect allows for extended lengths with accessories
- IC rated
- 120VAC input
- Triac or ELV dimming
- JA8-2022, cULus and ENERGY STAR qualified
- cULus Listed for Wet Locations (when used with compatible module/trim)

### SPECIFICATION

**Construction:** Prewired junction box includes 7" quick connect wire to the LED module for ease of installation. Junction box includes two 1/2" trade size knockouts and snap on cover.

**Clearance:** IC rated driver boxes can be installed with direct contact against insulation (not spray foam insulation), no minimum clearance is required.

**Installation:** Can be used in remodel applications without any additional frame. Can be used in new construction applications with universal new construction frame-in ([NF-R124](#)).

### ELECTRICAL

**Input Voltage:** 120VAC

**Wattage:** 12W

**Operating Temperature:** 0°-30°C

**Dimming:** Triac or ELV

### COMPATIBLE LUMINAIRES

Driver box is compatible with 2" and 4" Iolite Can-less downlights

#### Iolite Can-less

[NIOC-24LED](#) 2" and 4" Iolite Can-less LED Module

### OPTIONAL ACCESSORIES

[NF-R124](#): Universal New Construction Frame-In

[NCA-EW-4](#): 4' Quick Connect Extension Cable

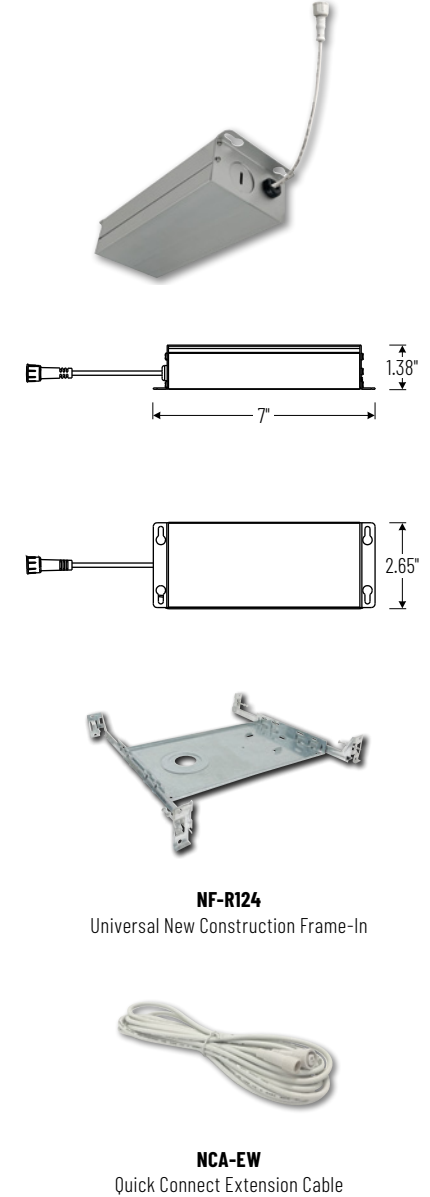
[NCA-EW-10](#): 10' Quick Connect Extension Cable

### LABELS AND LISTINGS

- cULus Listed for Damp Locations (Wet Location when used with compatible module/trim)
- ENERGY STAR certified (when used with compatible module/trim)
- [5-Year Limited Warranty](#)
- Certified to the high efficacy requirements of California Title 24 JA8-2022 (when used with compatible module/trim)



### PRODUCT IMAGES & DIMENSIONS



### 12W Driver Box

Wattage / Input Voltage / Dimming

**NJCB-12** = 12W / 120VAC input / Triac or ELV dimming

### Optional Accessories

Description

**NF-R124** = Universal New Construction Frame-In

**NCA-EW-4** = 4' Quick Connect Extension Cable

**NCA-EW-10** = 10' Quick Connect Extension Cable

Example: **NJCB-12** = 12W Driver Box with 120VAC input; Triac or ELV dimming